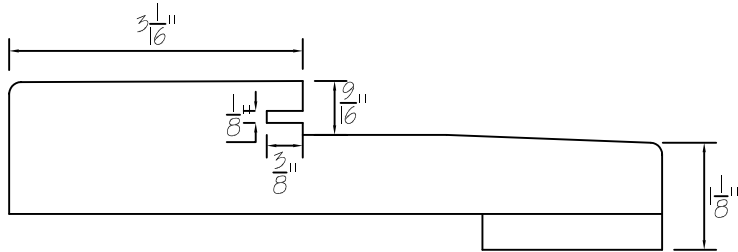
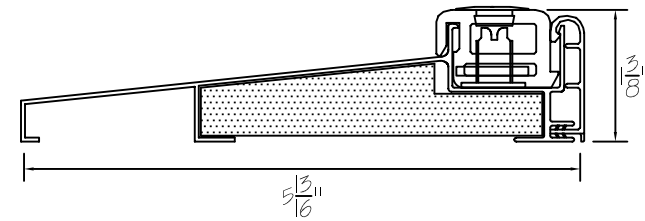


SILLS



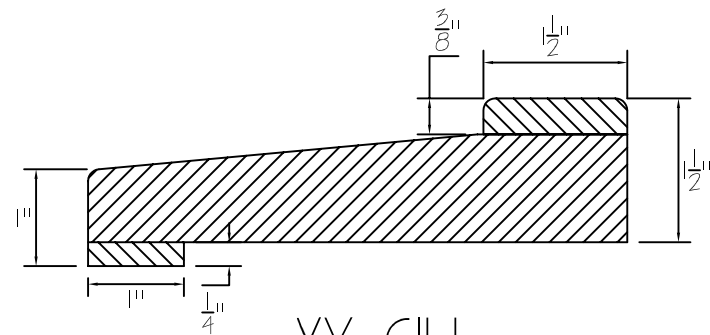
WOOD BUMPER SILL



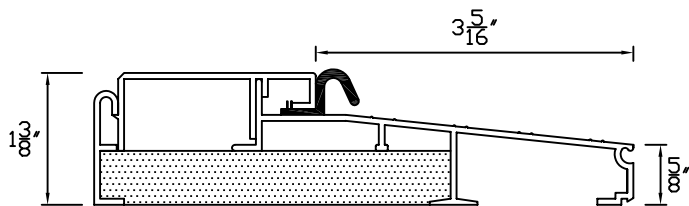
ADJ SILL



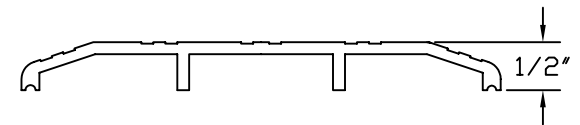
FLAT $\frac{3}{4}$ " WOOD SILL



XY SILL



BRONZE BUMPER SILL



HANDICAP SILL