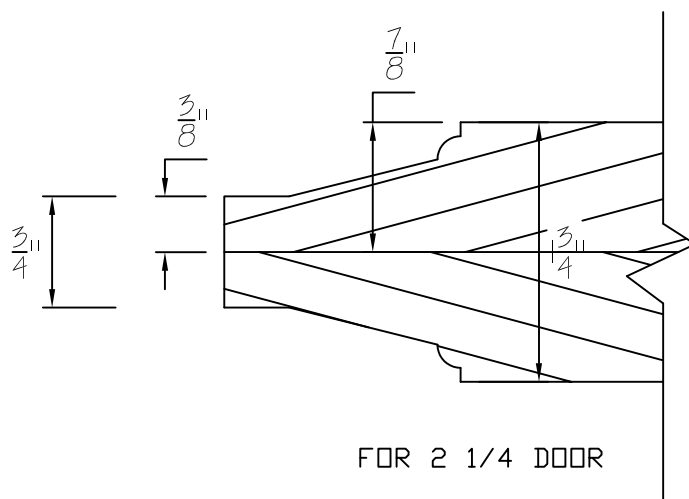
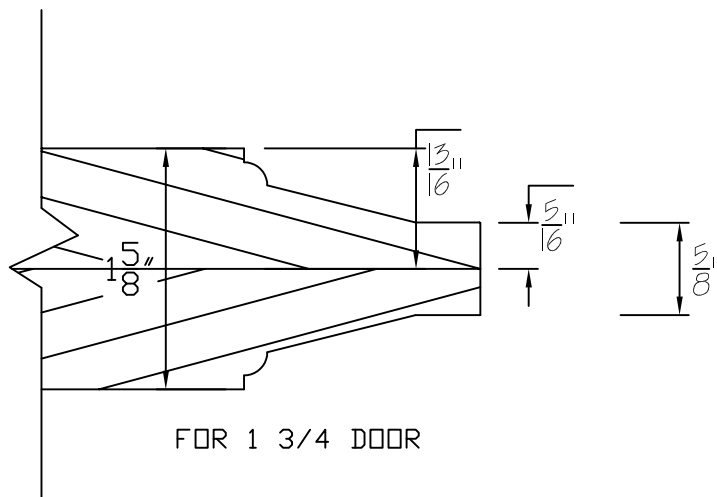


STANDARD PANEL PROFILES



DRW #

Southeast Specialty Millwork

913 Cobb Parkway N. Marietta, GA 30062
770-428-9021 / 866-428-9023 / 770-428-7640 fax

Customer

STANDARD PANEL
PROFILES

Rev.

Date

Date :

Drawn By : CHP

Scale :